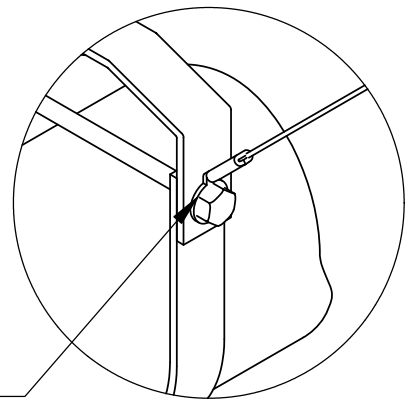


AC CABLE - EYELET
ATTACHMENT (TYP. 2)



DETAIL A
SCALE 1 : 5

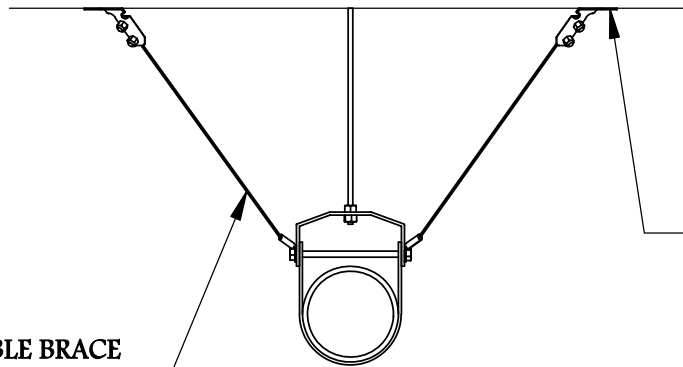


Mechanical Control Systems
1501 Main St. Unit 30
Tewksbury, MA 01876
P - 978.640.9994

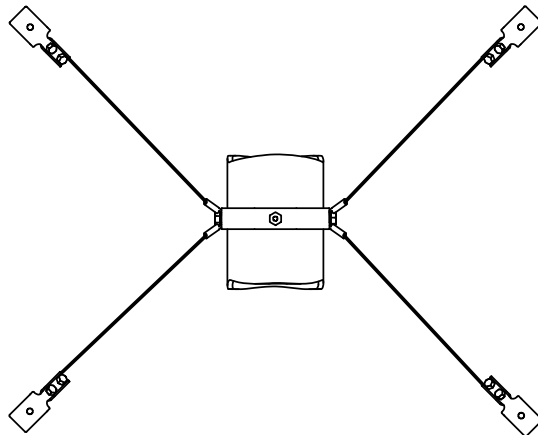
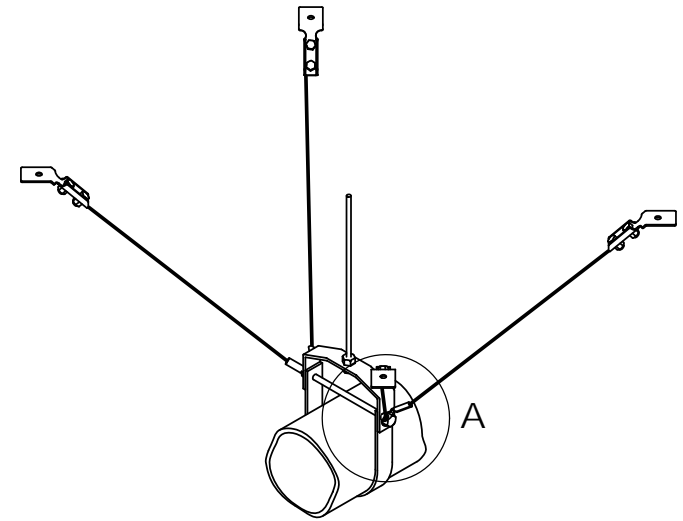
Transverse Cable Bracing
Clevis Hanger
VMC SB-125

PROJECT:	
CUSTOMER:	
JOB. NO.	REV

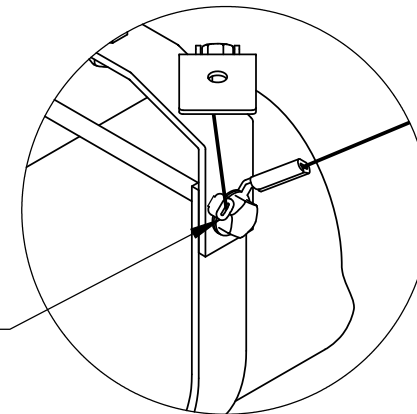
AC CABLE BRACE
(TYP. 4)



VMC SB-125 SEISMIC
BRACE ATTACHMENT
(TYP. 4)



AC CABLE - EYELET
ATTACHMENT (TYP. 4)



DETAIL A
SCALE 1 : 5



Mechanical Control Systems
1501 Main St. Unit 30
Tewksbury, MA 01876
P - 978.640.9994

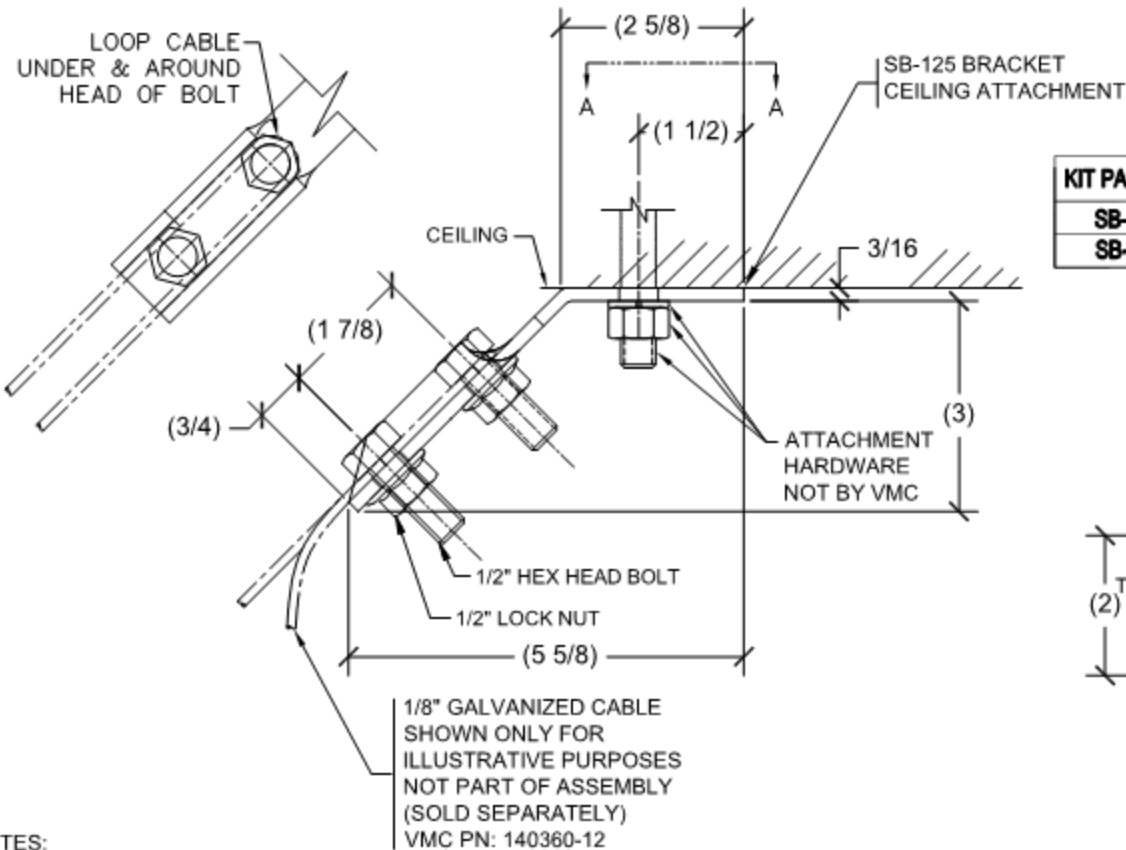
Transverse and Longitudinal bracing
Clevis Hanger
VMC SB-125

PROJECT:

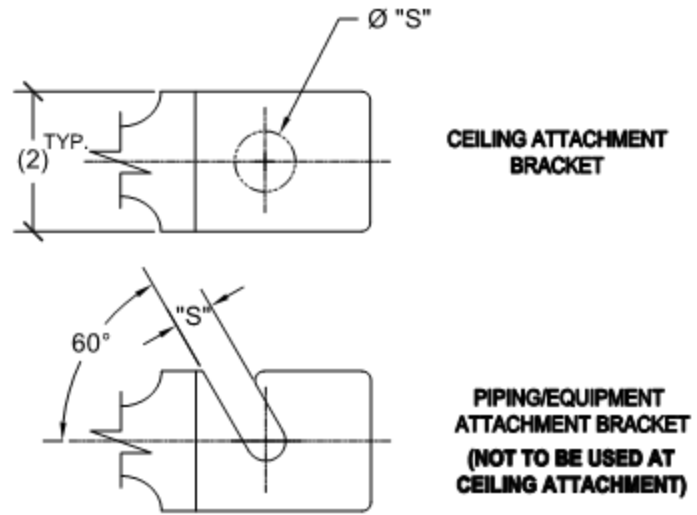
CUSTOMER:

JOB. NO.

REV



KIT PART NUMBER	"S"	COLOR CODE	MAX. TENSION ALLOWABLE
SB-125-01	9/16" KIT	CLEAR ZINC COATED	667 LBS.
SB-125-02	11/16" KIT	YELLOW ZINC COATED	667 LBS.



ALTERNATE VIEW A-A

OTHER MATERIALS, COMPOUNDS, OR FINISHES WITH EQUAL OR SUPERIOR PROPERTIES MAY BE SUBSTITUTED AS THEY BECOME AVAILABLE.

NOTES:

- 1) MATERIAL: COLD ROLLED STEEL
- 2) HARDWARE & BRACKETS ZINC ELECTROPLATE
- 3) FIELD TORQUE 1/2" LOCK NUTS TO 75 FT.- LBS.
- 4) 1 KIT CONSISTS OF EITHER 9/16 OR 11/16 ASSEMBLIES CONSISTING OF :
 - 2 SLOTTED BRACKETS
 - 2 HOLED BRACKETS
 - 8 BOLTS
 - 8 SERRATED FLANGE NUTS
- 5) CABLE SOLD SEPARATELY.

1/8" GALVANIZED CABLE
SHOWN ONLY FOR
ILLUSTRATIVE PURPOSES
NOT PART OF ASSEMBLY
(SOLD SEPARATELY)
VMC PN: 140360-12



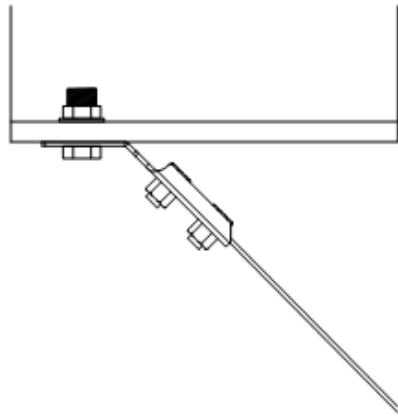
Mechanical Control Systems
1501 Main St. Unit 30
Tewksbury, MA 01876
P - 978.640.9994

VMC SB-125

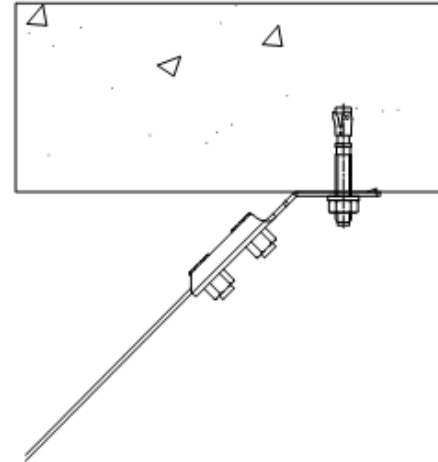
PROJECT: _____

CUSTOMER: _____

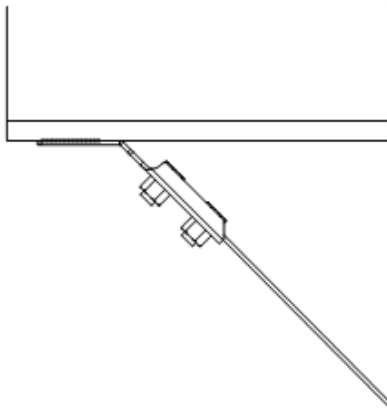
JOB. NO. _____ REV _____



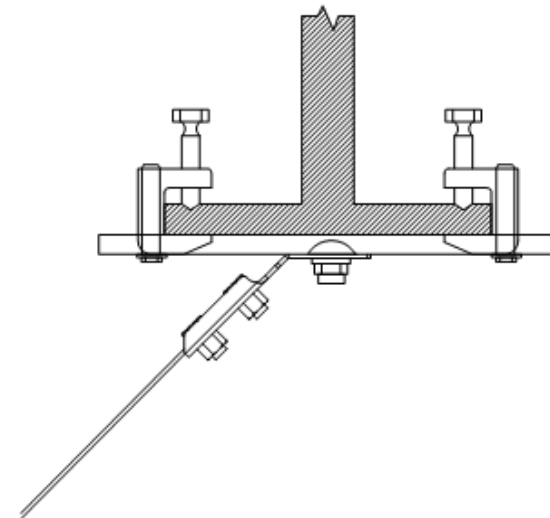
A325 BOLT TO STEEL



WEDGE ANCHOR TO CONCRETE



1/4" FILLET WELD TO STEEL



**ATTACHMENT TO DOUBLE SIDED
BEAM CLAMP (CLAMP BY OTHERS)**



Mechanical Control Systems
1501 Main St. Unit 30
Tewksbury, MA 01876
P - 978.640.9994

SEISMIC ATTACHMENT DETAIL

PROJECT:

CUSTOMER:

JOB. NO.

REV